

▶ Pickling Agitation Tank

Principle

The rotation of the impeller drives the circulation flowing of the acid liquid, which fully washes the carbon in the tank.

Features

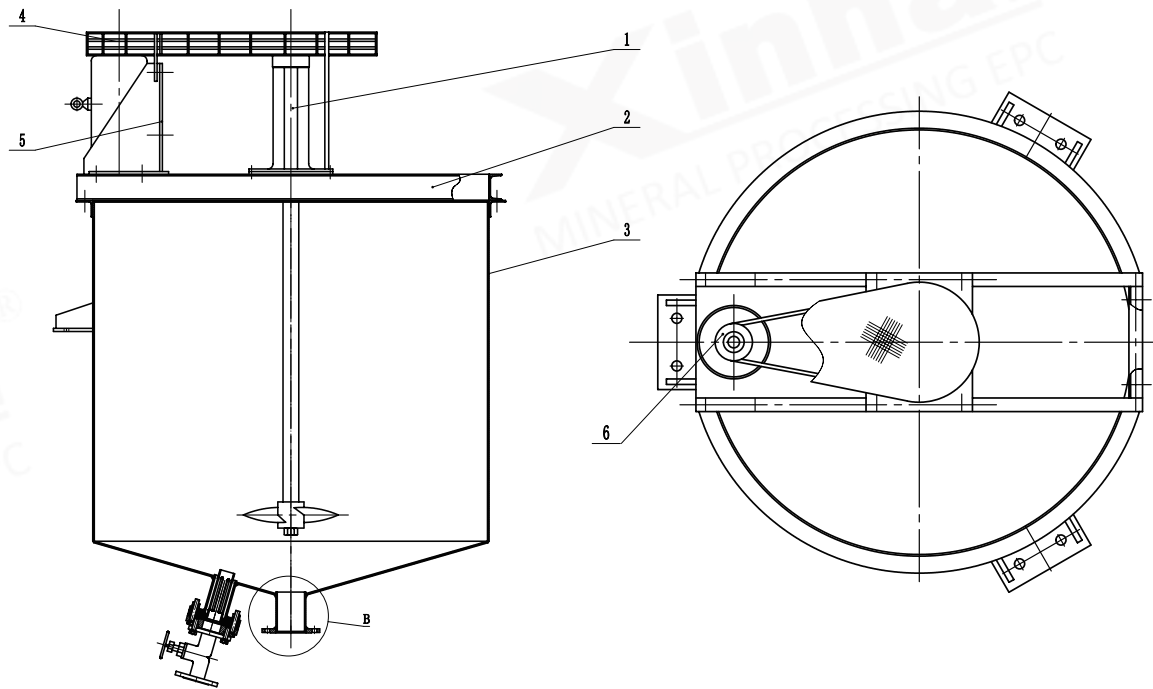
Made of stainless steel or wear-resistant rubber with acid and wear resistance.

Application

Used for carbon pickling after the desorption electrolysis.

Technical Parameters

Model	Effective Volume (m ³)	Rotating Speed of Impeller (r/min)	Diameter of Impeller (mm)	Motor Model	Motor Power (kW)	Weight (kg)
BJS-1000×1000	0.86	513	240	Y90L-6	1.1	380
BJS-1250×1250	1.3	492	310	Y100L1-4	2.2	580
BJS-1300×1600	1.8	320	400	Y132S-6	3	750
BJS-1500×1500	1.83	320	400	Y132S-6	3	820



■ Structure Drawing of Pickling Agitation Tank

- Notes: 1. Vertical shaft assembly 2. Frame
 3. Tank body 4. Safety guard
 5. Motor base 6. Motor belt pulley